

# MARSHALL

Integration-Friendly Furniture®

Since 1986

ARCO Series

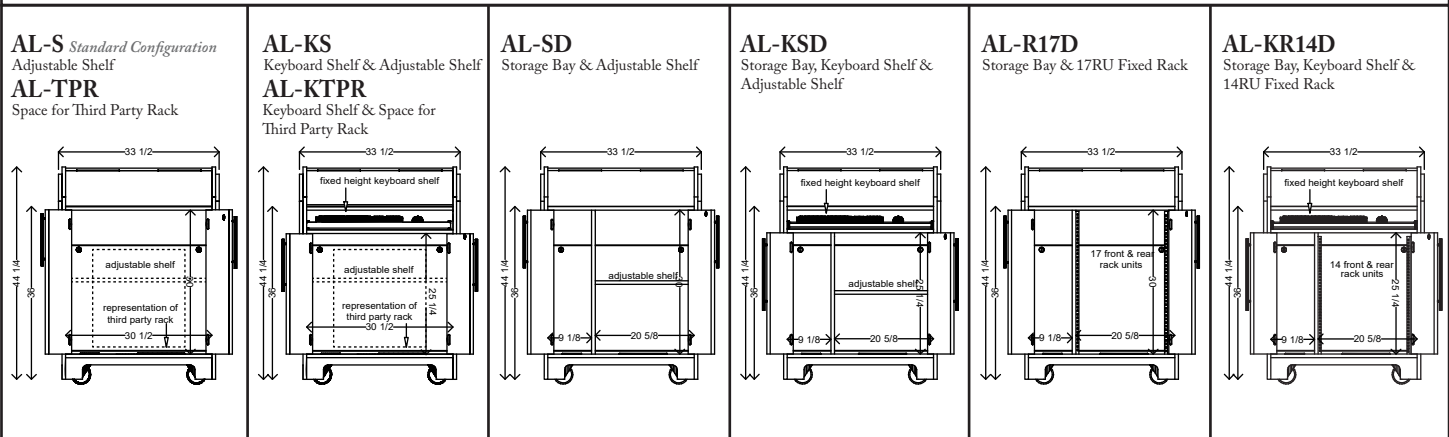
Quick Ship ARCO™-3230 Lectern



<p><b>Overall Dimensions:</b> 33½"W x 45¼"H x 30½"D</p>	<p>Available Body Colors</p> <div style="display: flex; justify-content: space-around;"> <div style="background-color: black; color: white; padding: 5px; border-radius: 10px;">Black</div> <div style="background-color: slategray; color: white; padding: 5px; border-radius: 10px;">Slate Grey</div> </div>	<p>Architectural Panel Materials</p> <div style="display: flex; justify-content: space-around; text-align: center;"> <div style="background-color: #d2b48c; padding: 10px; border-radius: 10px; font-weight: bold; font-size: 2em;">W</div> <div style="background-color: #c0c0c0; padding: 10px; border-radius: 10px; font-weight: bold; font-size: 2em;">M</div> <div style="background-color: #a0a0a0; padding: 10px; border-radius: 10px; font-weight: bold; font-size: 2em;">L</div> <div style="background-color: #808080; padding: 10px; border-radius: 10px; font-weight: bold; font-size: 2em;">P</div> </div>			
<p><b>Standard Features Include:</b></p> <ul style="list-style-type: none"> <li>• Black or Slate Grey Melamine Body</li> <li>• (6) Architectural Panels in Choice of Melamine, Wood Veneer, Laminate, or Paint Grade</li> <li>• Soft Close Standard Locking Doors to Match Body Color</li> <li>• AL-S Interior Configuration</li> <li>• Floor Access Opening</li> <li>• Passive Ventilation</li> <li>• Locking Rear Access Panel</li> <li>• Locking Carpet Casters</li> <li>• Notched Base</li> </ul> <p><b>Popular Options:</b></p> <ul style="list-style-type: none"> <li>• Small Touch Panel &amp; Interface Cutouts</li> <li>• Clock Timer</li> <li>• Ergotron Monitor Arm</li> <li>• VESA Monitor Mount</li> <li>• Halogen or LED Gooseneck Light</li> <li>• AC Outlet with USB Ports</li> <li>• Cable Reservoirs</li> <li>• Heavy Duty Drop Leaf Shelf</li> <li>• Cooling Fan(s)</li> <li>• Custom Logo</li> </ul> <p><b>Door Upgrades:</b></p> <ul style="list-style-type: none"> <li>• AL-PSD - Doors Match Painted Panels</li> <li>• AL-MSD - Doors Match Melamine Panels</li> <li>• AL-LSD - Doors Match Laminate Panels</li> <li>• AL-WSD - Doors Match Wood Panels</li> <li>• AL-PLEXI - Plexiglass Door Insert</li> <li>• AL-VENT - Metal Vent Door Insert</li> </ul>					
		<p>This ARCO-3230 is shown with the AL-S interior configuration. The body is in Black Melamine and the architectural panels are in Walnut Melamine.</p>			

Click Here or Call (847) 395-9350 to Request a Quote

## Interior Configurations



Specifications subject to change without notice - Some options may affect lead time



Ask about our FSC®  
Certified Products  
SCS-COC-004377 K

Marshall Furniture Inc ❖ www.marshallfurniture.com  
999 Anita Avenue ❖ Antioch IL 60002 ❖ P 847-395-9350 ❖ F 847-395-9351

© Copyright 2020 All Rights Reserved, Marshall Furniture Inc.

November 2020



MADE IN USA