

MARSHALL

Integration-Friendly Furniture®
Since 1986

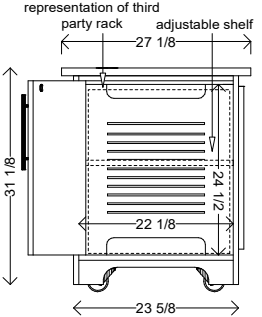
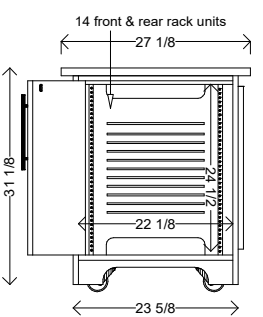
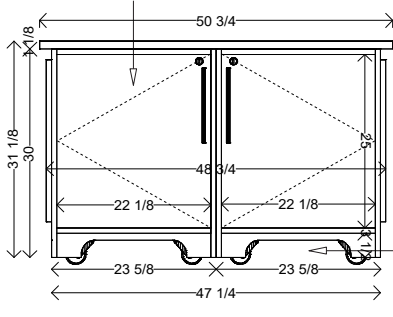
ARCO Series

Quick Ship ARCO™-CR2 Credenza



<p>Overall Dimensions: 50³/₄"W x 32¹/₈"H x 28"D</p>	<p>Available Body Colors</p> <div style="display: flex; justify-content: space-around;"> <div style="background-color: black; color: white; padding: 5px; border-radius: 10px;">Black</div> <div style="background-color: slategray; color: white; padding: 5px; border-radius: 10px;">Slate Grey</div> </div>	<p>Architectural Panel Materials</p> <div style="display: flex; justify-content: space-around;"> <div style="background-color: #ccc; padding: 5px; border-radius: 10px; text-align: center;">W Wood Veneer</div> <div style="background-color: #ccc; padding: 5px; border-radius: 10px; text-align: center;">M Melamine</div> <div style="background-color: #ccc; padding: 5px; border-radius: 10px; text-align: center;">L Laminate</div> <div style="background-color: #ccc; padding: 5px; border-radius: 10px; text-align: center;">P Paint Grade</div> </div>			
<p>Standard Features Include:</p> <ul style="list-style-type: none"> • Black or Slate Grey Laminate Top with Matching 3mm PVC Edge • Black or Slate Grey Melamine Body • (2) Architectural Panels in Choice of Melamine, Wood Veneer, Laminate, or Paint Grade • Soft Close Standard Locking Doors to Match Architectural Panels • AC-S Interior Configuration • Floor Access Opening • Locking Hinged Rear Access Doors with Exhaust Vent Slots • Locking Carpet Casters • Notched Base 	<div style="display: flex; justify-content: space-around; align-items: center;">   </div> <div style="text-align: center; margin-top: 20px;"> <p>This ARCO-CR2 is shown with a Slate Grey Melamine body and Asian Sun Melamine architectural panels. Optional Surface Grommets were added.</p> <div style="display: flex; justify-content: space-between;"> <div style="text-align: center;">  <p>WARRANTY 10 YEAR WARRANTY</p> </div> <div style="text-align: center;">  <p>CUSTOM FINISH AVAILABILITY</p> </div> <div style="text-align: center;">  <p>SHIPS FULLY ASSEMBLED</p> </div> </div> </div>				
<p>Popular Options:</p> <ul style="list-style-type: none"> • Surface Grommets • Cable Reservoirs • Pole Mount for Monitor (Up to 55" Display, 100lb weight capacity) • Cooling Fan(s) 					
<p>Door Upgrades:</p> <ul style="list-style-type: none"> • M-DU-PL-Plexiglass Door Insert • M-DU-V-Metal Vent Door Insert 					

Click Here or Call (847) 395-9350 to Request a Quote

Interior Configurations	Specify AC-S, AC-TPR or AC-R Configuration for Each Bay
<p>AC-S <i>Standard Configuration</i> Adjustable Shelf</p> <p>AC-TPR Ready for Third Party Rack</p> <p>representation of third party rack adjustable shelf</p> 	<p>AC-R 14RU Fixed Rack</p> <p>14 front & rear rack units</p>  <div style="margin-top: 20px;"> <p>standard locking doors with 10 3/4" Brushed Nickel Richelieu 305 Contemporary Pulls</p>  <p>notched toe for air intake & locking 3" swivel carpet casters (typical caster clearance varies from 1"-1 1/2")</p> <p><small>*Doors hinged as shown unless otherwise specified.</small></p> </div>

Specifications subject to change without notice - Some options may affect lead time



Ask about our FSC® Certified Products
SCS-COC-004377 K

Marshall Furniture Inc ❖ www.marshallfurniture.com
999 Anita Avenue ❖ Antioch IL 60002 ❖ P 847-395-9350 ❖ F 847-395-9351

© Copyright 2021 All Rights Reserved, Marshall Furniture Inc.

September 2021



MADE IN USA