

MARSHALL

Integration-Friendly Furniture®

Since 1986

ARCO Series

Quick Ship ARCO™-CR3 Credenza



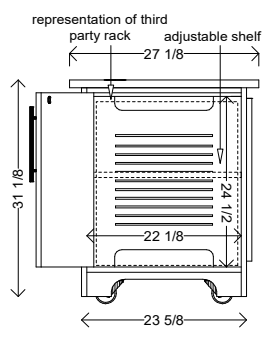
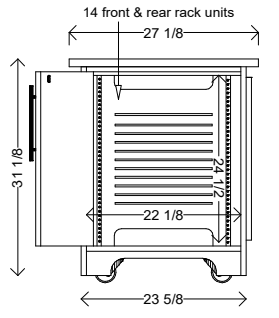
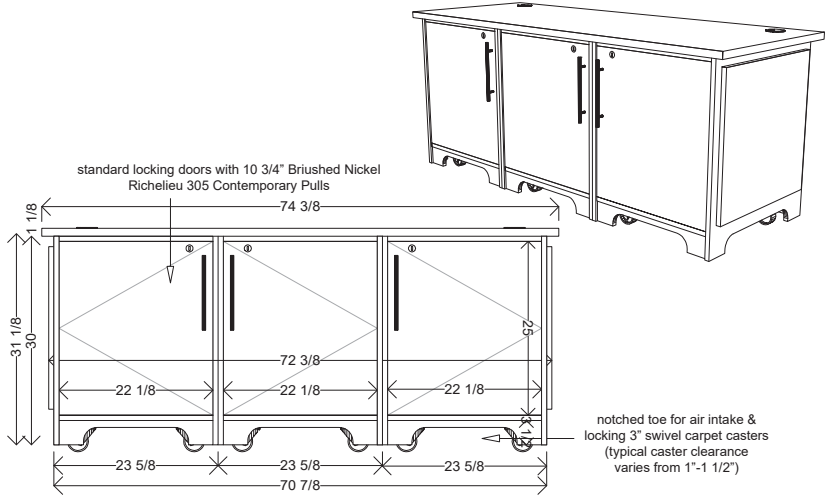
<p>Overall Dimensions: 74³/₈"W x 32¹/₈"H x 28"D</p>	<p>Available Body Colors</p> <div style="display: flex; justify-content: space-around;"> <div style="background-color: black; color: white; padding: 5px; border-radius: 10px;">Black</div> <div style="background-color: slategray; color: white; padding: 5px; border-radius: 10px;">Slate Grey</div> </div>	<p>Architectural Panel Materials</p> <div style="display: flex; justify-content: space-around;"> <div style="background-color: #ccc; padding: 5px; border-radius: 10px; text-align: center;">W Wood Veneer</div> <div style="background-color: #ccc; padding: 5px; border-radius: 10px; text-align: center;">M Melamine</div> <div style="background-color: #ccc; padding: 5px; border-radius: 10px; text-align: center;">L Laminate</div> <div style="background-color: #ccc; padding: 5px; border-radius: 10px; text-align: center;">P Paint Grade</div> </div>			
<p>Standard Features Include:</p> <ul style="list-style-type: none"> • Black or Slate Grey Laminate Top with Matching 3mm PVC Edge • Black or Slate Grey Melamine Body • (2) Architectural Panels in Choice of Melamine, Wood Veneer, Laminate, or Paint Grade • Soft Close Standard Locking Doors to Match Architectural Panels • AC-S Interior Configuration • Floor Access Opening • Locking Hinged Rear Access Doors with Exhaust Vent Slots • Locking Carpet Casters • Notched Base 					
<p>Popular Options:</p> <ul style="list-style-type: none"> • Surface Grommets • Cable Reservoirs • Pole Mount for Monitor (Up to 55" Display, 100lb weight capacity) • Cooling Fan(s) 					
<p>Door Upgrades:</p> <ul style="list-style-type: none"> • AC-PLEXI-Plexiglass Door Insert • AC-VENT-Metal Vent Door Insert 					



This ARCO-CR3 is shown with a Black Melamine body and Black Melamine architectural panels.



Click Here or Call (847) 395-9350 to Request a Quote

<p>Interior Configurations</p>	<p>Specify AC-S, AC-TPR or AC-R Configuration for Each Bay</p>	
<p>AC-S <i>Standard Configuration</i> Adjustable Shelf</p> <p>AC-TPR Ready for Third Party Rack</p> 	<p>AC-R 14RU Fixed Rack</p> 	 <p>standard locking doors with 10 3/4" Brushed Nickel Richelieu 305 Contemporary Pulls</p> <p>*Doors hinged as shown unless otherwise specified.</p> <p>notched toe for air intake & locking 3" swivel carpet casters (typical caster clearance varies from 1"-1 1/2")</p>
<p>Specifications subject to change without notice - Some options may affect lead time</p>		



Ask about our FSC® Certified Products
SCS-COC-004377 K

Marshall Furniture Inc ❖ www.marshallfurniture.com
999 Anita Avenue ❖ Antioch IL 60002 ❖ P 847-395-9350 ❖ F 847-395-9351

© Copyright 2020 All Rights Reserved, Marshall Furniture Inc.

November 2020



MADE IN USA