




MARSHALL

Integration-Friendly Furniture®
Since 1986

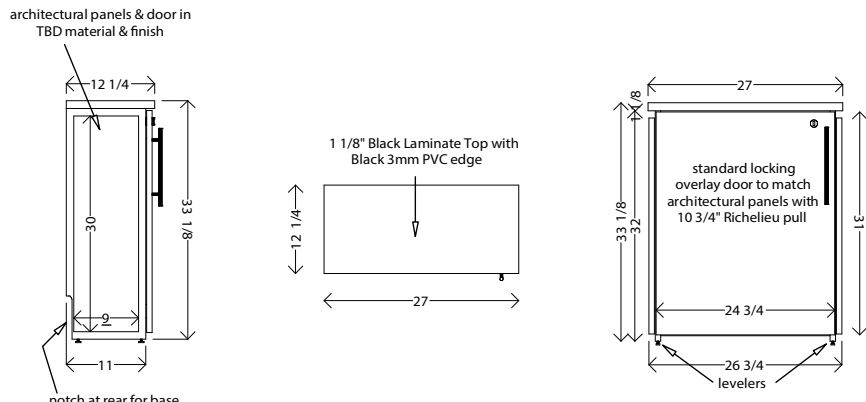
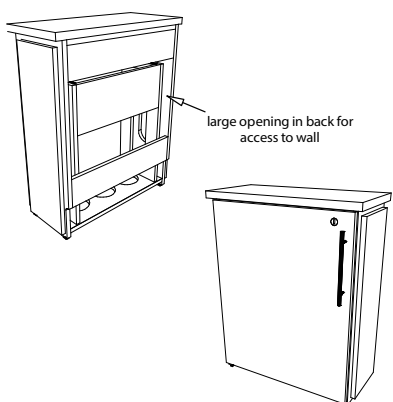
ARCO Series

Quick Ship ARCO™-FIT CR1 Low Profile Credenza



<p>Overall Dimensions: 27"W x 33 1/8"H x 12 1/4"D</p>	<p>Available Body Colors</p> <p>Black</p>	<p>Architectural Panel Materials</p> <p>W Wood Veneer M Melamine L Laminate P Paint Grade</p>			
<p>Standard Features Include:</p> <ul style="list-style-type: none"> • Black Laminate Top with Black 3mm PVC Edge • Black Melamine Body • (2) Architectural Panels in Choice of Melamine, Wood Veneer, Laminate, or Paint Grade • Soft Close Standard Locking Door to Match Architectural Panels • Large Opening in Back for Cabling • Internal Adjustable Shelf • Floor Openings • Leveling Feet • Wall Anchor Assembly Kit 	 <p>This ARCO-FCR1 is shown with Colorado Textured Melamine architectural panels and stock Black Laminate Top. It includes an optional 5RU Rack Insert and Pole Mount for monitor attachment.</p> <p> </p>				
<p>Popular Options:</p> <ul style="list-style-type: none"> • Custom Top Options to Match Architectural Panels • Custom Edge Options • 5RU Rack Insert • Door Upgrades: Vented or Plexi • Cooling Fan(s) • Pole Mount for Monitor (Up to 55" Display, 100lb weight capacity) 					

Click Here or Call (847) 395-9350 to Request a Quote

<p>Ortho Views</p>  <p>architectural panels & door in TBD material & finish</p> <p>12 1/4" (width of architectural panels)</p> <p>33 1/8" (total height)</p> <p>30" (height of main body)</p> <p>1 1/8" Black Laminate Top with Black 3mm PVC edge</p> <p>12 1/4" (depth)</p> <p>27" (total width)</p> <p>24 3/4" (width of main body)</p> <p>26 3/4" (width including levelers)</p> <p>3 1/8" (height of top edge)</p> <p>3 1/8" (height of bottom edge)</p> <p>notch at rear for base board clearance</p> <p>standard locking overlay door to match architectural panels with 10 3/4" Richelieu pull</p> <p>Specifications subject to change without notice - Some options may affect lead time</p>	<p>3D Views</p>  <p>large opening in back for access to wall</p>
---	--



Ask about our FSC® Certified Products
SCS-COC-004377 K

Marshall Furniture Inc ❖ www.marshallfurniture.com
999 Anita Avenue ❖ Antioch IL 60002 ❖ P 847-395-9350 ❖ F 847-395-9351

© Copyright 2022 All Rights Reserved, Marshall Furniture Inc.

