

# MARSHALL

Integration-Friendly Furniture®

Since 1986

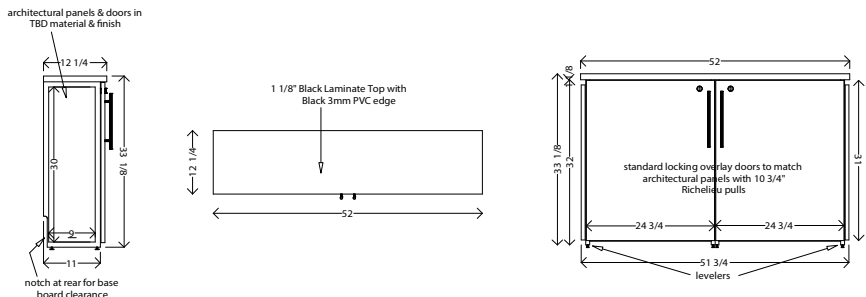
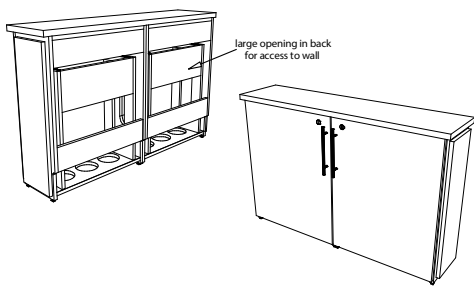
ARCO Series

Quick Ship ARCO™-FIT CR2 Low Profile Credenza



<p><b>Overall Dimensions:</b> 52"W x 33 1/8"H x 12 1/4"D</p>	<p>Available Body Colors</p> 	<p>Architectural Panel Materials</p>    			
<p><b>Standard Features Include:</b></p> <ul style="list-style-type: none"> <li>• Black Laminate Top with Black 3mm PVC Edge</li> <li>• Black Melamine Body</li> <li>• (2) Architectural Panels in Choice of Melamine, Wood Veneer, Laminate, or Paint Grade</li> <li>• Soft Close Standard Locking Doors to Match Architectural Panels</li> <li>• Large Opening in Black for Cabling</li> <li>• Internal Adjustable Shelf</li> <li>• Floor Openings</li> <li>• Leveling Feet</li> <li>• Wall Anchor Assembly Kit</li> </ul>	  <p>This ARCO-FR2 is shown with Slate Grey Melamine architectural panels and stock Black Laminate Top. It includes a Standard Adjustable Shelf in one bay and an optional 5RU Rack Insert in the other</p>  				
<p><b>Popular Options:</b></p> <ul style="list-style-type: none"> <li>• Custom Top Options to Match Architectural Panels</li> <li>• Custom Edge Options</li> <li>• 5RU Rack Insert</li> <li>• Door Upgrades: Vented or Plexi</li> <li>• Cooling Fan(s)</li> <li>• Pole Mount for Monitor (Up to 55" Display, 100lb weight capacity)</li> </ul>					

Click Here or Call (847) 395-9350 to Request a Quote

Ortho Views	3D Views
 <p>architectural panels &amp; doors in TBD material &amp; finish</p> <p>12 1/4"</p> <p>33 1/8"</p> <p>30"</p> <p>11"</p> <p>notch at rear for base board clearance</p> <p>1 1/8" Black Laminate Top with Black 3mm PVC edge</p> <p>12 1/4"</p> <p>52"</p> <p>33 1/8"</p> <p>32"</p> <p>52"</p> <p>24 3/4"</p> <p>24 3/4"</p> <p>51 3/4"</p> <p>levelers</p> <p>standard locking overlay doors to match architectural panels with 10 3/4" Richelieu pulls</p>	 <p>large opening in back for access to wall</p>
<p>Specifications subject to change without notice - Some options may affect lead time</p>	



Ask about our FSC® Certified Products  
SCS-COC-004377 K

Marshall Furniture Inc ❖ www.marshallfurniture.com  
999 Anita Avenue ❖ Antioch IL 60002 ❖ P 847-395-9350 ❖ F 847-395-9351

© Copyright 2020 All Rights Reserved, Marshall Furniture Inc.

November 2020



MADE IN USA