

MARSHALL

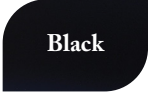






Integration-Friendly Furniture®

Since 1986

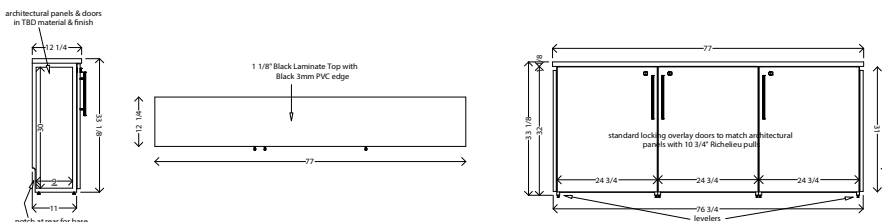
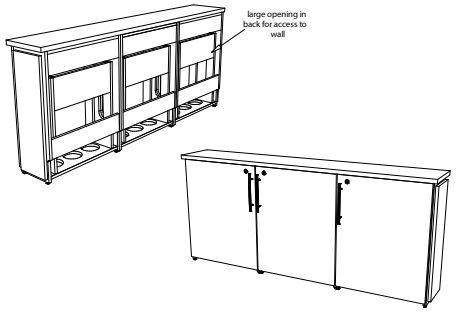
ARCO Series

Quick Ship ARCO™-FIT CR3 Low Profile Credenza



<p>Overall Dimensions: 77"W x 33 1/8"H x 12 1/4"D</p>	<p>Available Body Colors</p>  <p>Black</p>	<p>Architectural Panel Materials</p>    			
<p>Standard Features Include:</p> <ul style="list-style-type: none"> • Black Laminate Top with Black 3mm PVC Edge • Black Melamine Body • (2) Architectural Panels in Choice of Melamine, Wood Veneer, Laminate, or Paint Grade • Soft Close Standard Locking Doors to Match Architectural Panels • Large Opening in Back for Cabling • Internal Adjustable Shelf • Floor Openings • Leveling Feet • Wall Anchor Assembly Kit 					
<p>Popular Options:</p> <ul style="list-style-type: none"> • Custom Top Options to Match Architectural Panels • Custom Edge Options • 5RU Rack Insert • Door Upgrades: Vented or Plexi • Cooling Fan(s) • Pole Mount for Monitor (Up to 55" Display, 100lb weight capacity) 	<p>This ARCO-FR3 is shown with White Melamine architectural panels and a Custom White Laminate Top to match architectural panels. Each bay includes the optional 5RU Rack Insert.</p>  				

Click Here or Call (847) 395-9350 to Request a Quote

Ortho Views	3D Views
 <p>architectural panels & doors in TBD material & finish</p> <p>1 1/8" Black Laminate Top with Black 3mm PVC edge</p> <p>standard locking overlay doors to match architectural panels with 10 3/4" Richelleu pulls</p> <p>76 3/4" levelers</p> <p>notch at rear for base board clearance</p>	 <p>large opening in back for access to wall</p>
<p>Specifications subject to change without notice - Some options may affect lead time</p>	



Ask about our FSC® Certified Products
SCS-COC-004377 K

Marshall Furniture Inc ❖ www.marshallfurniture.com
999 Anita Avenue ❖ Antioch IL 60002 ❖ P 847-395-9350 ❖ F 847-395-9351

© Copyright 2022 All Rights Reserved, Marshall Furniture Inc.

August 2022

