

MARSHALL

Integration-Friendly Furniture®

Since 1986

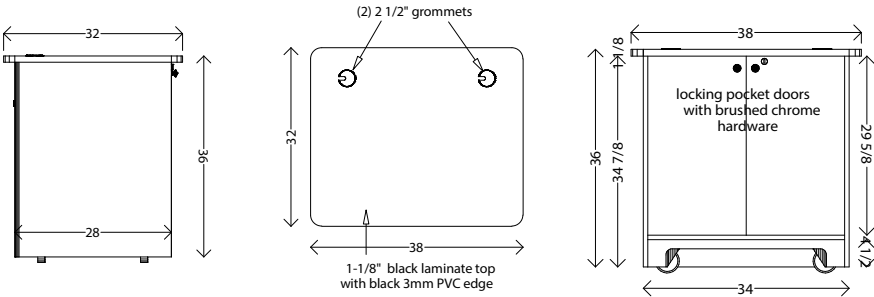
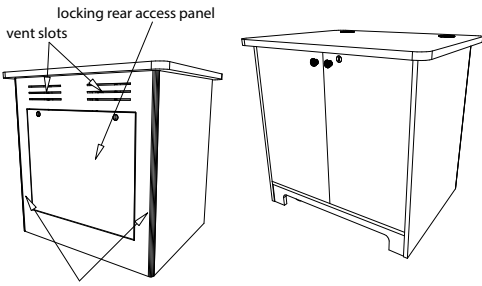
ARRAY Series

Quick Ship MRTA™-34WS Workstation



<p>Overall Dimensions: 38"W x 37"H x 32"D</p>	<p>Available Accent Corners</p> <div style="display: flex; justify-content: space-around;"> <div style="text-align: center;"> <p>BK</p>  <p>(Standard)</p> </div> <div style="text-align: center;"> <p>RC</p>  </div> </div>		<p>Available Materials</p> <div style="display: flex; justify-content: space-around;"> <div style="text-align: center;">  <p>Wood Veneer</p> </div> <div style="text-align: center;">  <p>Melamine</p> </div> </div>	
<p>Standard Features Include:</p> <ul style="list-style-type: none"> • BK Accent Corners • Surface Grommets • Black Laminate Top with Black 3mm PVC Edge • Soft Close Locking Pocket Doors • 16RU Fixed Rack • Floor Access Opening • 10" x 10" Floor Vent • Locking Rear Access Panel • 6-Outlet Surge Protector • Locking Carpet Casters 	<div style="display: flex; justify-content: space-between;"> <div style="width: 25%;"> <p>WOOD & MELAMINE SHIPS IN 30 DAYS</p>  </div> <div style="width: 45%; text-align: center;">  <p>This MRTA-34WSRC is shown in Maple Melamine</p> </div> <div style="width: 25%; text-align: center;">  <p>This MRTA-34WSBK is shown in Maple Melamine</p> </div> </div> <div style="display: flex; justify-content: space-between; margin-top: 20px;"> <div style="text-align: center;">  <p>WARRANTY 10 YEAR WARRANTY</p> </div> <div style="text-align: center;">  <p>SHIPS FULLY ASSEMBLED</p> </div> </div>			
<p>Popular Options:</p> <ul style="list-style-type: none"> • RC Accent Corner • Melamine Mount Box • Small Touch Panel & Interface Cutouts • Cable Reservoirs • AC Outlet with USB Ports • Halogen or LED Gooseneck Light • Ergotron LX Desk Arm • Heavy Duty Drop Leaf Shelf • Fixed Height Keyboard Shelf • Vented or Plexi Face Doors • Internal Shelves in Lieu of Rack • Cooling Fan(s) • Custom Logo 				

Click Here or Call (847) 395-9350 to Request a Quote

<h2>Ortho Views</h2>	<h2>3D Views</h2>
 <p>Specifications subject to change without notice - Some options may affect lead time</p>	



Ask about our FSC® Certified Products
SCS-COC-004377 K

Marshall Furniture Inc ❖ www.marshallfurniture.com
999 Anita Avenue ❖ Antioch IL 60002 ❖ P 847-395-9350 ❖ F 847-395-9351

© Copyright 2020 All Rights Reserved, Marshall Furniture Inc.

November 2020

