

# MARSHALL

Integration-Friendly Furniture®

Since 1986

ELCO Series

Quick Ship ELCO™-MCMC Confidence Monitor Cabinets

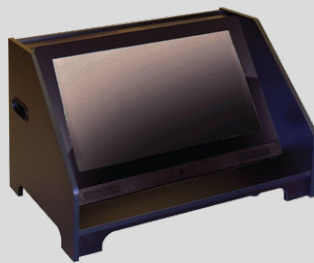


### Standard Features Include:

- Mounting Bracket with Quick Lock Release (130lb weight capacity)
- Side Handles for Repositioning
- Locking Rear Access Panel
- Floor Access Opening
- Notched Sides
- Locking Carpet Casters

### Size Chart

MODEL NUMBER	A OVERALL HEIGHT	B OVERALL WIDTH	C OVERALL DEPTH
ELCO-MCMC-32	26	32	23
ELCO-MCMC-43	28	48	25
ELCO-MCMC-60	30	61	27



This ELCO-MCMC-32 is shown in Black Melamine.



This ELCO-MCMC-43 is shown in Cherry Melamine.



This ELCO-MCMC-60 is shown in Slate Grey Melamine.

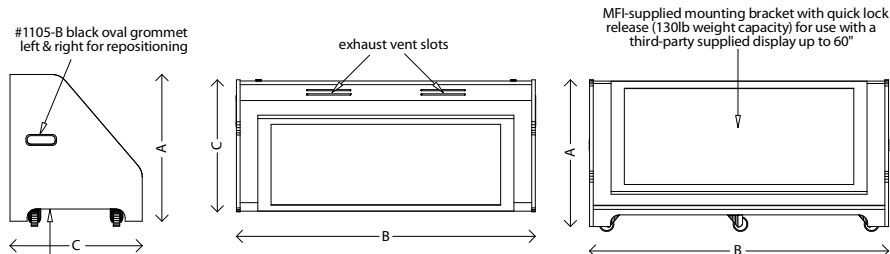
### Popular Options:

- Small Interface Cutouts
- Upgrade to Hidden Lock Rear Access Panel
- Cooling Fan(s)
- Custom Logo
- Padded Cover



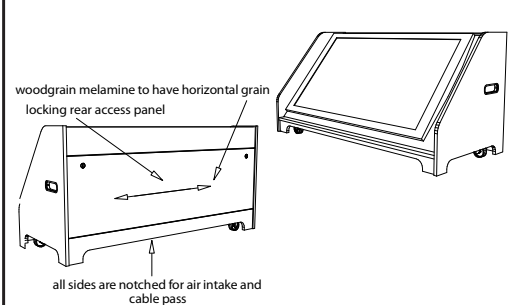
Click Here or Call (847) 395-9350 to Request a Quote

### Ortho Views



Specifications subject to change without notice - Some options may affect lead time

### 3D Views



Stock Melamine Colors - All Colors Ship in 30 Days - Printed Colors are Approximate - Samples Available Upon Request

<b>Standard</b>	Maple	Silver Frost	White	Cocobala	Cherry	Wild Cherry
	Black	Slate Grey	Walnut	Asian Sun	Oak	Mahogany
<b>Designer Series</b>	Glacial					
	Colorado	Aurora	<b>TEXTURED</b>			



Ask about our FSC® Certified Products  
SCS-COC-004377 K

Marshall Furniture Inc ❖ www.marshallfurniture.com  
999 Anita Avenue ❖ Antioch IL 60002 ❖ P 847-395-9350 ❖ F 847-395-9351

© Copyright 2021 All Rights Reserved, Marshall Furniture Inc.

September 2021



MADE IN USA