

MARSHALL

Integration-Friendly Furniture®

Since 1986

ELCO Series

Quick Ship ELCO™-35 Lectern



Overall Dimensions:
35"W x 45 1/4"H x 30"D

Standard Features Include:

- Surface Grommets
- AC Outlet with USB Ports
- Heavy Duty Drop Leaf Shelf
- Pullout Keyboard Shelf
- Soft Close Standard Locking Doors
- 14RU Fixed Rack
- Locking Rear Access Panel
- Floor Access Opening
- 10" x 10" Floor Vent
- 6-Outlet Surge Protector
- Locking Carpet Casters

Popular Options:

- Small Touch Panel & Interface Cutouts
- Cable Reservoirs
- Clock Timer
- Ergotron LX Desk Arm
- Monitor Mounts
- Halogen or LED Gooseneck Light
- Additional Heavy Duty Drop Leaf Shelf
- Vented or Plexi Face Doors
- Upgrade to Hidden Lock Rear Access Panel
- Cooling Fan(s)
- Sound System
- Custom Logo



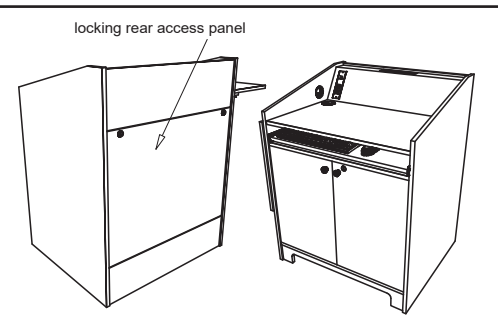
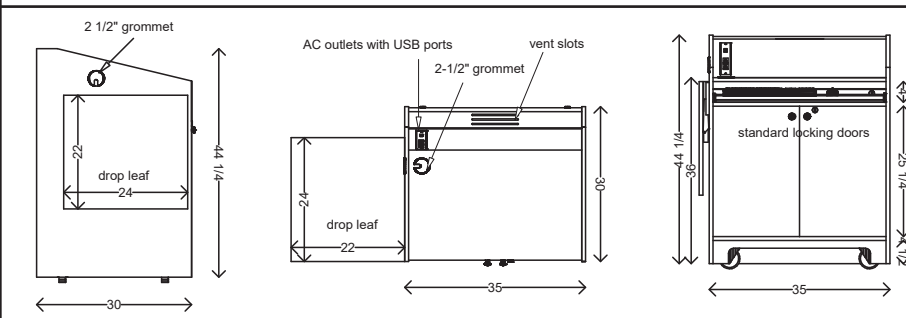
This ELCO-35 is shown in Wild Cherry Melamine and includes all standard features.



Click Here or Call (847) 395-9350 to Request a Quote

Ortho Views

3D Views



Specifications subject to change without notice - Some options may affect lead time

Stock Melamine Colors - *Black, Silver Frost, & Maple Ship in 10 Business Days - All Other Colors Ship in 30 Days - Printed Colors are Approximate - Samples Available Upon Request

Standard	Maple*	Silver Frost*	White	Cocobala	Cherry	Wild Cherry
	Black*	Slate Grey	Walnut	Asian Sun	Oak	Mahogany
Designer Series	Glacial					
	Colorado		Aurora			
TEXTURED						



Ask about our FSC® Certified Products
SCS-COC-004377 K

Marshall Furniture Inc ❖ www.marshallfurniture.com
999 Anita Avenue ❖ Antioch IL 60002 ❖ P 847-395-9350 ❖ F 847-395-9351

© Copyright 2020 All Rights Reserved, Marshall Furniture Inc.

