

MARSHALL

Integration-Friendly Furniture®

Since 1986

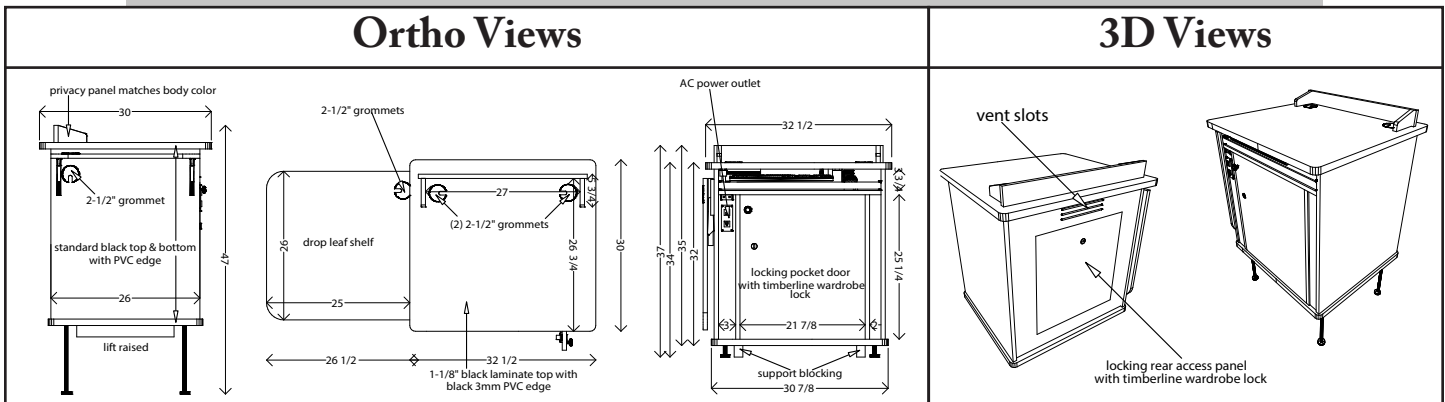
TRIO Series

Quick Ship SCM™-240L Height Adjust Workstation



<p>Overall Dimensions: 32½"W x 37-47"H x 30"D</p>	<p>MELAMINE SHIPS IN 30 DAYS</p>  <p>10 YEAR WARRANTY</p> <p>This SCM-240L in Slate Grey Melamine is shown with an optional desktop lectern and special order AC Outlet.</p> <p>SHIPS FULLY ASSEMBLED</p>
<p>Standard Features Include:</p> <ul style="list-style-type: none"> • Black Laminate Top with Black 3mm PVC Edge • Privacy Panel to Match Body • Surface Grommets • Heavy Duty Drop Leaf Shelf • Pullout Keyboard Shelf • AC Outlet • Soft Close Standard Locking Door • 14RU Fixed Rack • Floor Access Opening • 10" x 10" Floor Vent • Locking Rear Access Doors • 12" Lift Legs with 10" Travel 	
<p>Popular Options:</p> <ul style="list-style-type: none"> • Laminate Top with Edge to Match • Melamine Mount Box • Small Touch Panel & Interface Cutouts • Cable Reservoirs • AC Outlet with USB Ports • Ergotron LX Desk Arm • Halogen or LED Gooseneck Light • Vented or Plexi Face Doors • Cooling Fan(s) • Custom Logo • Desktop Lectern 	

Click Here or Call (847) 395-9350 to Request a Quote



Stock Melamine Colors - All Colors Ship in 30 Days - Printed Colors are Approximate - Samples Available Upon Request

Standard	Maple	Silver Frost	White	Cocobala	Cherry	Wild Cherry
	Black	Slate Grey	Walnut	Asian Sun	Oak	Mahogany
Designer Series	Glacial					
	Colorado	Aurora	TEXTURED			



Ask about our FSC® Certified Products SCS-COC-004377 K

Marshall Furniture Inc ❖ www.marshallfurniture.com
999 Anita Avenue ❖ Antioch IL 60002 ❖ P 847-395-9350 ❖ F 847-395-9351

© Copyright 2020 All Rights Reserved, Marshall Furniture Inc.

November 2020

