

MARSHALL

Integration-Friendly Furniture®

Since 1986

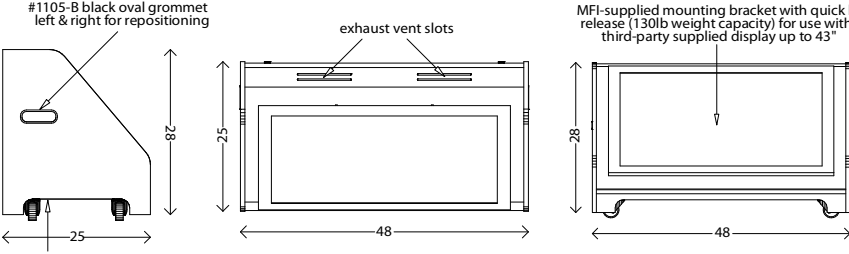
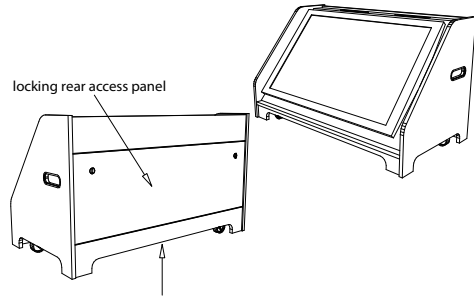
ELCO Series

Quick Ship ELCO™-MCMC-43 Confidence Monitor Cabinet



<p>Overall Dimensions: 48"W x 28"H x 25"D</p>	<p>MELAMINE SHIPS IN 30 DAYS</p>  <p>10 YEAR WARRANTY</p> <p>This ELCO-MCMC-43 is shown in Cherry Melamine with optional Chrome Flush Pulls.</p> <p>SHIPS FULLY ASSEMBLED</p>
<p>Standard Features Include:</p> <ul style="list-style-type: none"> • Mounting Bracket with Quick Lock Release (130lb weight capacity) • Side Handles for Repositioning • Locking Rear Access Panel • Floor Access Opening • Notched Sides • Locking Carpet Casters 	
<p>Popular Options:</p> <ul style="list-style-type: none"> • Small Interface Cutouts • Upgrade to Hidden Lock Rear Access Panel • Cooling Fan(s) • Custom Logo • Padded Cover 	

Click Here or Call (847) 395-9350 to Request a Quote

Ortho Views	3D Views
 <p>#1105-B black oval grommet left & right for repositioning</p> <p>exhaust vent slots</p> <p>MFI-supplied mounting bracket with quick lock release (130lb weight capacity) for use with a third-party supplied display up to 43"</p> <p>all sides are notched for air intake and cable pass</p>	 <p>locking rear access panel</p> <p>all sides are notched for air intake and cable pass</p>
<p>Specifications subject to change without notice - Some options may affect lead time</p>	

Stock Melamine Colors - All Colors Ship in 30 Days - Printed Colors are Approximate - Samples Available Upon Request

<p>Standard</p> <ul style="list-style-type: none"> Maple Silver Frost White Cocobala Cherry Wild Cherry Black Slate Grey Walnut Asian Sun Oak Mahogany Asian Night 	<p>Designer Series</p> <ul style="list-style-type: none"> Glacial Colorado Aurora <p>TEXTURED</p>
--	---



Ask about our FSC® Certified Products
SCS-COC-004377 K

Marshall Furniture Inc ❖ www.marshallfurniture.com
999 Anita Avenue ❖ Antioch IL 60002 ❖ P 847-395-9350 ❖ F 847-395-9351

© Copyright 2021 All Rights Reserved, Marshall Furniture Inc.



August 2021