

MARSHALL

Integration-Friendly Furniture®
Since 1986

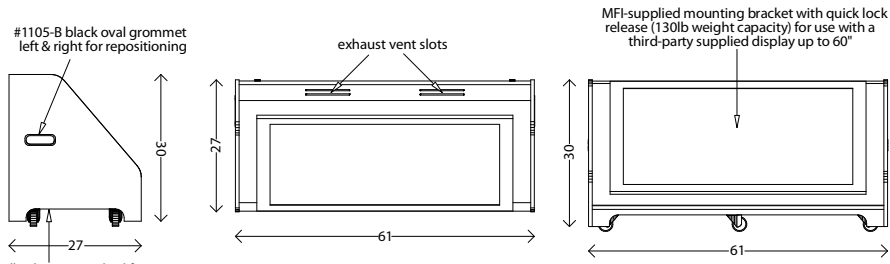
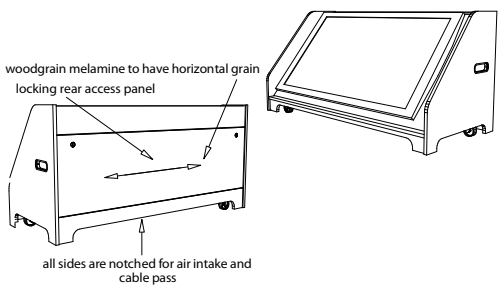
ELCO Series

Quick Ship ELCO™-MCMC-60 Confidence Monitor Cabinet



<p>Overall Dimensions: 61"W x 30"H x 27"D</p>	<p>MELAMINE SHIPS IN 30 DAYS</p>  <p>10 YEAR WARRANTY</p> <p>This ELCO-MCMC-60 is shown in Slate Grey Melamine and includes all standard features.</p> <p>SHIPS FULLY ASSEMBLED</p>
<p>Standard Features Include:</p> <ul style="list-style-type: none"> • Mounting Bracket with Quick Lock Release (130lb weight capacity) • Side Handles for Repositioning • Locking Rear Access Panel • Floor Access Opening • Notched Sides • Locking Carpet Casters 	
<p>Popular Options:</p> <ul style="list-style-type: none"> • Small Interface Cutouts • Upgrade to Hidden Lock Rear Access Panel • Cooling Fan(s) • Custom Logo • Padded Cover 	

Click Here or Call (847) 395-9350 to Request a Quote

Ortho Views	3D Views
<p>#1105-B black oval grommet left & right for repositioning</p> <p>exhaust vent slots</p> <p>MFI-supplied mounting bracket with quick lock release (130lb weight capacity) for use with a third-party supplied display up to 60"</p>  <p>all sides are notched for air intake and cable pass</p> <p>Specifications subject to change without notice - Some options may affect lead time</p>	<p>woodgrain melamine to have horizontal grain locking rear access panel</p>  <p>all sides are notched for air intake and cable pass</p>

Stock Melamine Colors - All Colors Ship in 30 Days - Printed Colors are Approximate - Samples Available Upon Request

Standard	Maple	Silver Frost	White	Cocobala	Cherry	Wild Cherry
	Black	Slate Grey	Walnut	Asian Sun	Oak	Mahogany
Designer Series	Glacial	Colorado	Aurora	TEXTURED		



Ask about our FSC® Certified Products
SCS-COC-004377 K

Marshall Furniture Inc ❖ www.marshallfurniture.com
999 Anita Avenue ❖ Antioch IL 60002 ❖ P 847-395-9350 ❖ F 847-395-9351

© Copyright 2021 All Rights Reserved, Marshall Furniture Inc.

August 2021



MADE IN USA